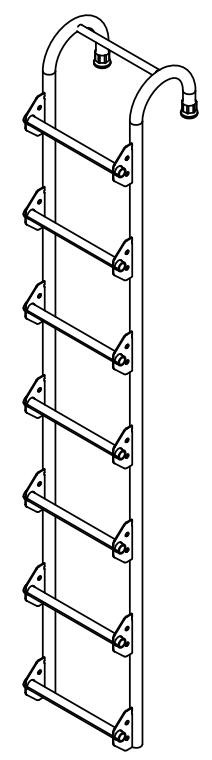
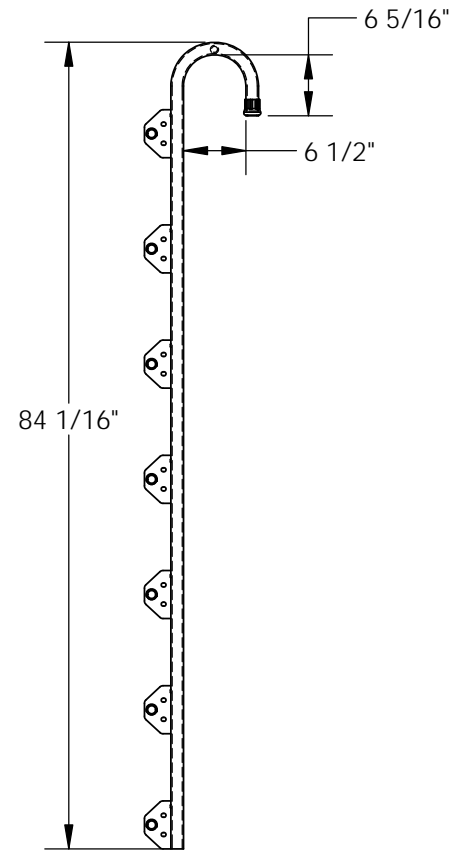
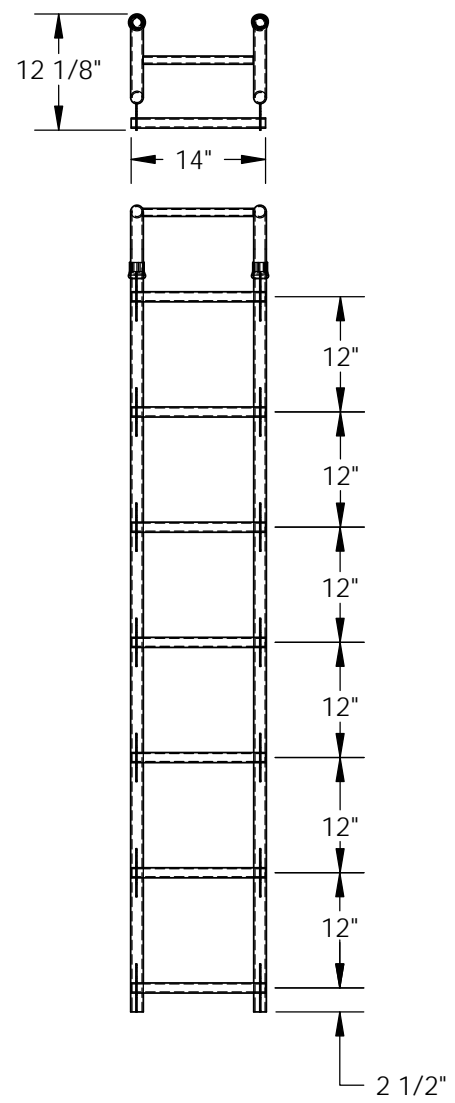


MODEL NAME - NTAL-7, TANK ACCESSLADDER

APPROX WEIGHT: 40.32 lbs.
 DOES NOT INCLUDE WEIGHT OF POWER OR PACKAGING!!!

*** ANY ADDITIONS, DELETIONS, OR OMISSIONS MUST BE CORRECTED ON THIS DRAWING AS THIS DRAWING WILL BE CONSIDERED ALL INCLUSIVE ***

ALL GRAPHICS PROVIDED ARE FOR REFERENCE ONLY. IF CERTAIN DIMENSIONS ARE CRITICAL PLEASE VERIFY THOSE DIMENSIONS WITH YOUR SALESPERSON



DIMENSION TOLERANCE ± 1/4"

STANDARD FEATURES

- MODEL NUMBER IS NTAL-7
- OVERALL WIDTH IS 14"
- OVERALL LENGTH IS 12"
- OVERALL HEIGHT IS 84"
- MAX CAPACITY IS 300 IBS.

SPECIAL FEATURES

NONE

| | | |
|-----------------|--|-------------|
| APPROVAL | I, THE UNDERSIGNED, AGREE THAT THE PRODUCT AS REPRESENTED SATISFIES DESIGN AND DIMENSION REQUIREMENTS. I ALSO ACKNOWLEDGE MY DUTY TO CONFIRM PRODUCT AND INSTALLATION COMPLIANCE WITH ALL APPLICABLE FEDERAL, STATE AND LOCAL REGULATIONS AND STANDARDS. | |
| | ALL SPECIAL UNITS ARE NON-RETURNABLE <input type="checkbox"/> As drawn <input type="checkbox"/> As marked | |
| | Signed: _____ | Date: _____ |
| | LEAD TIME WILL START UPON RECEIPT OF SIGNED APPROVAL DRAWING | |

| | | |
|---|------------------|------------|
| DISTRIBUTOR'S NAME: HOF EQUIPMENT COMPANY | | P.O.# X |
| PH: 888-990-1150 | | W.O.# X |
| DRAWN BY: MIKE S. | DATE: 09/23/2010 | SALES: |
| REFERENCE: X | SCALE: 1:20 | FILE NAME: |
| QUOTED LEAD TIME: X | QUOTE # X | 23-007-388 |